

Vernis Blend

Single lever bath mixer for concealed installation with integrated security combination according to EN1717 for iBox universal

Surfaces: **Chrome** Article Number: **71467000**

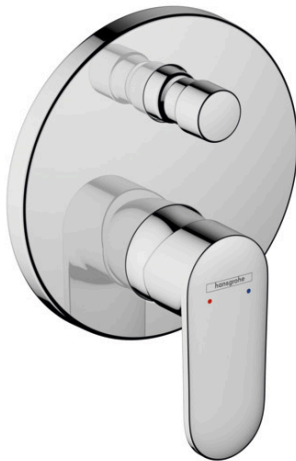


Description

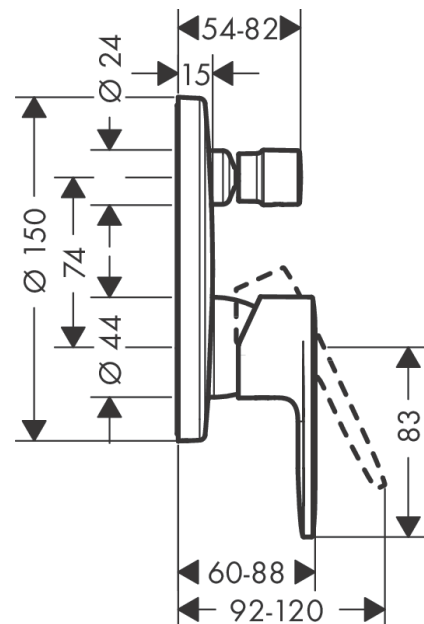
product features

- 2 functions
- connection type: basic set
- min. operating pressure: 1 bar
- max. operating pressure: 10 bar
- ceramic cartridge
- temperature limitation adjustable
- diverter with automatic resetting
- suitable for continuous flow water heaters
- with integrated safety combination EN 1717

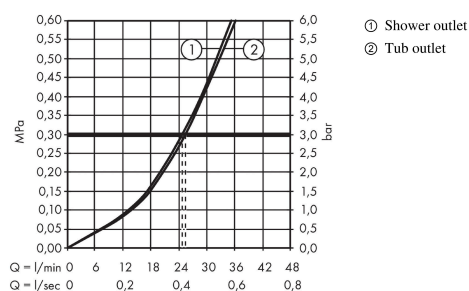
Product image



Scale drawing



Flowchart



Vernis Blend

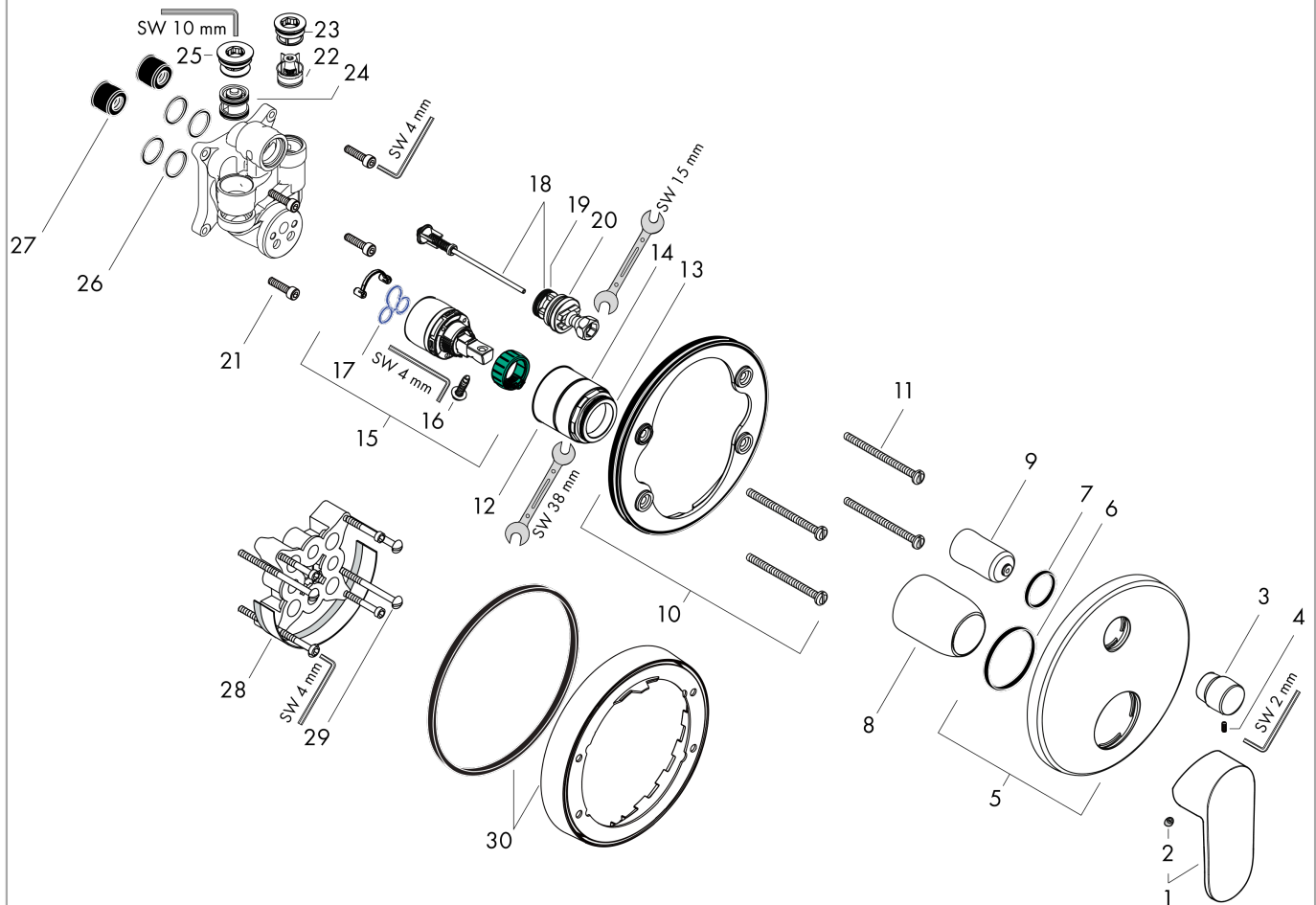
Single lever bath mixer for concealed installation with integrated security combination according to EN1717 for iBox universal

Surfaces: **Chrome** Article Number: **71467000**



Exploded Drawing

Year of production: >04/21



Vernis Blend

Single lever bath mixer for concealed installation with integrated security combination according to EN1717 for iBox universal

Surfaces: **Chrome** Article Number: **71467000**



Spare part list

Year of production: >04/21

Pos.	Description	Article Number	Price	PU
1	handle	93715000	-	1
2	screw cover	96338000	-	1
3	diverter knob	98795000	-	1
4	hollow set screw M4x10	97667000	-	1
5	escutcheon Ø 150 mm	98791000	-	1
6	O-ring 43x3	98418000	-	1
7	O-ring 23x3	98142000	-	1
8	sleeve	98790000	-	1
9	sleeve	98794000	-	1
10	holder for escutcheon	98793000	-	1
11	set of fixing screws	96454000	-	1
12	nut	98796000	-	1
13	O-ring 30x1,5	98433000	-	1
14	O-ring 39x1,5	98400000	-	1
15	cartridge, assy	92730000	-	1
16	locking screw for handle	95140000	-	1
17	seal	95008000	-	1
18	selector assy	95014000	-	1
19	O-ring 16x2,3	98207000	-	1
20	O-ring 20x2,5	92602000	-	1
21	set of screws	96525000	-	1
22	non return valve	96655000	-	1
23	O-ring 19x2	98426000	-	1
24	vacuum breaker	96753000	-	1
25	O-Ring 22x2	98185000	-	1
26	O-ring 16x2	98133000	-	1
27	noise reduction	94073000	-	1
28	extension 25 mm	13595000	-	1
29	set of fixing screws	97747000	-	1
30	extension 22 mm (Ø 150 mm)	13597000	-	1
a	concealed item	01800180	-	1
b	fixation set	96615000	-	1
c	conversion kit to escutcheon Ø 170 mm (bath mixer)	95354000	-	1